

Lazy





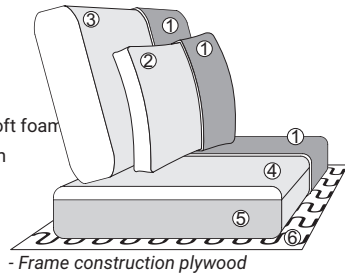
Lazy

Armrest: A17
 Comfort: Basic (PP/K1)
 Legs: W16

Comfort

Basic (PP/K1)

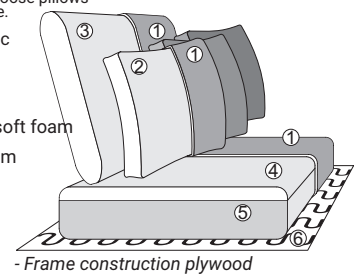
- ① Fiber padding and fabric
- ② Carded polyester fiber
- ③ High soft HS23 foam
- ④ High resilience HR30 soft foam
- ⑤ High density RP35 foam
- ⑥ Zig zag springs



Basic - Loose pillows (II/K1)

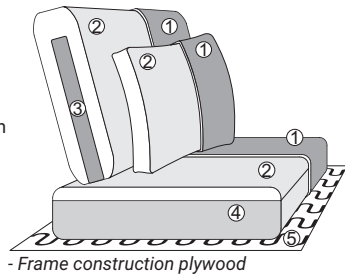
The total amount of loose pillows are shown on module.

- ① Fiber padding and fabric
- ② Carded polyester fiber
- ③ High soft HS23 foam
- ④ High resilience HR30 soft foam
- ⑤ High density RP35 foam
- ⑥ Zig zag springs



Premium (P3/K3)

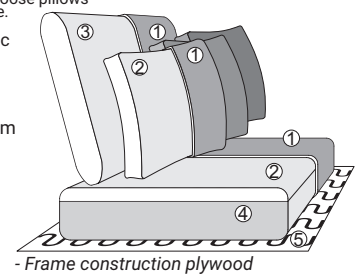
- ① Fiber padding and fabric
- ② Carded polyester fiber
- ③ High soft HS23 foam
- ④ High density RP35 foam
- ⑤ Zig zag springs



Premium - Loose pillows (II/K3)

The total amount of loose pillows are shown on module.

- ① Fiber padding and fabric
- ② Carded polyester fiber
- ③ High soft HS23 foam
- ④ High density RP35 foam
- ⑤ Zig zag springs



Legs

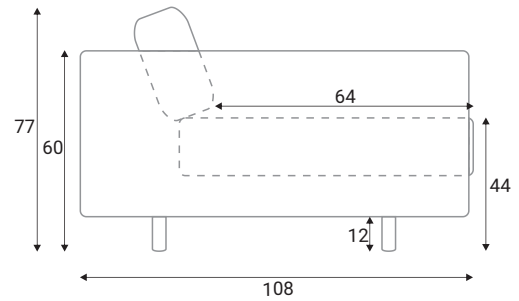


W16, Solid wood, painted black



W44, Solid wood, painted black

Extra dimensions



Armrests



reserves the right to change construction of products and components used due to improving durability of product and customer satisfaction without any further notice. Upholstered furniture is handmade using soft materials there fore measurements may vary up to +/- 3cm. Slight colour variations may occur between production batches. For technological reasons variations in color shades are acceptable.

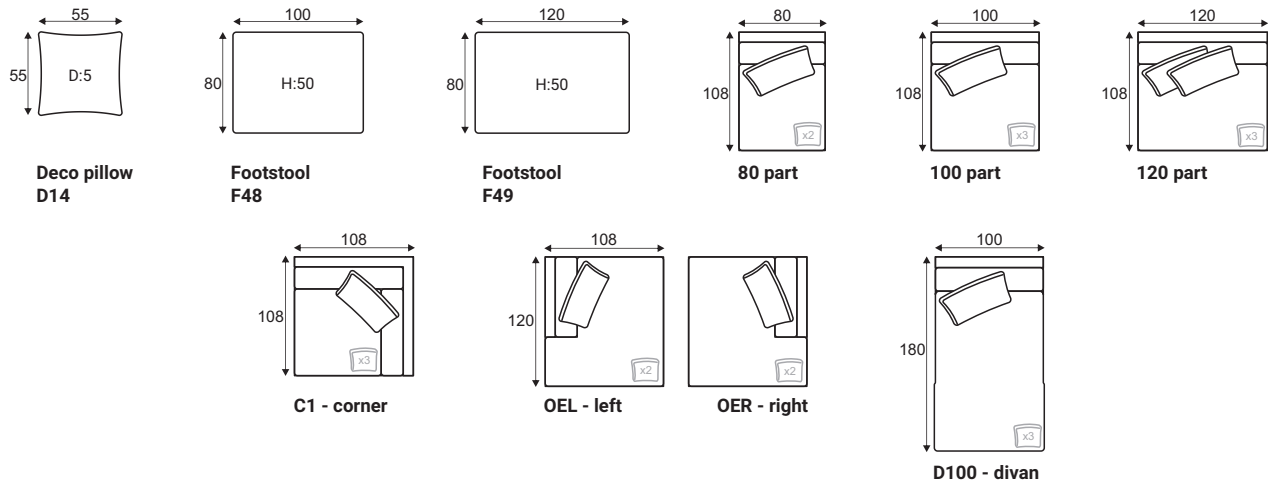


Lazy

Armrest: A24
 Comfort: Premium - Loose pillow (11/K3)
 Legs: W44

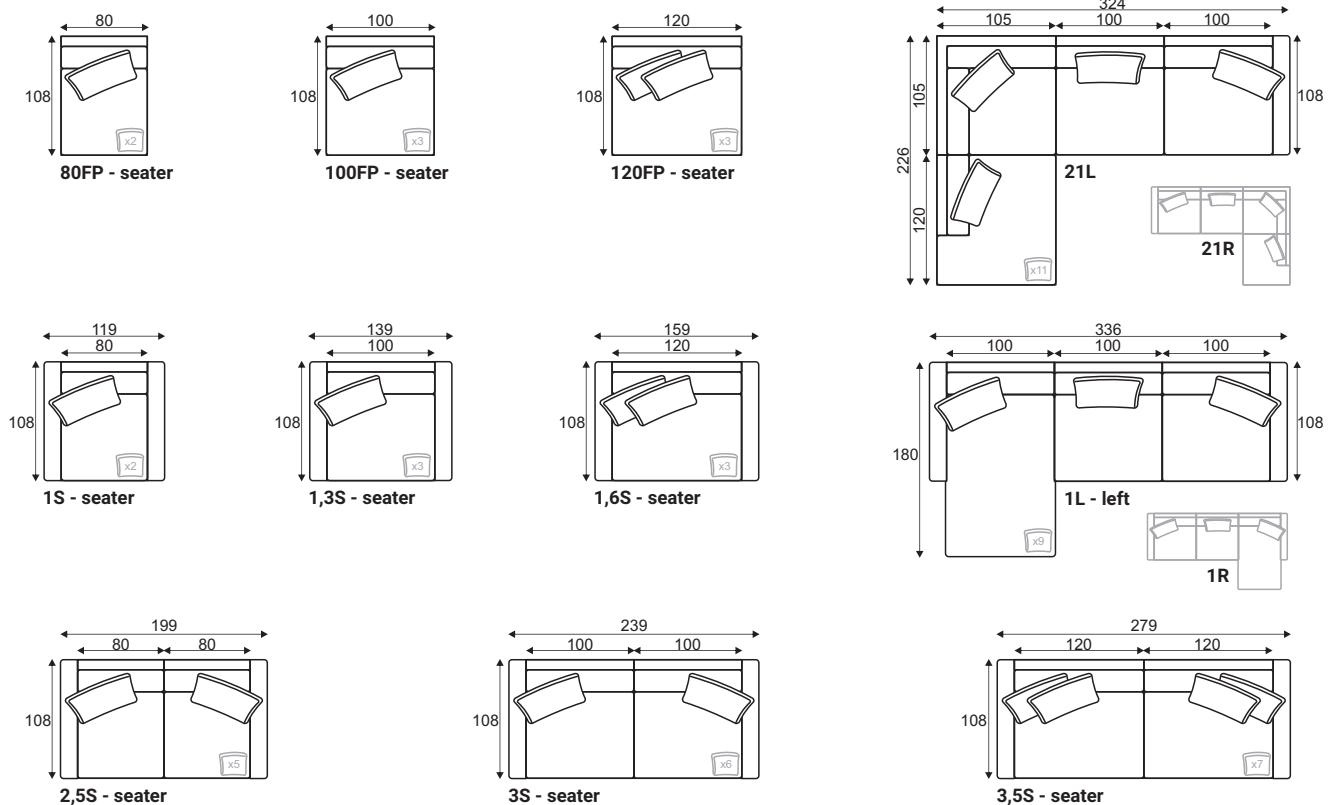
Modules

Dimensions with A17 armrest and W16 legs

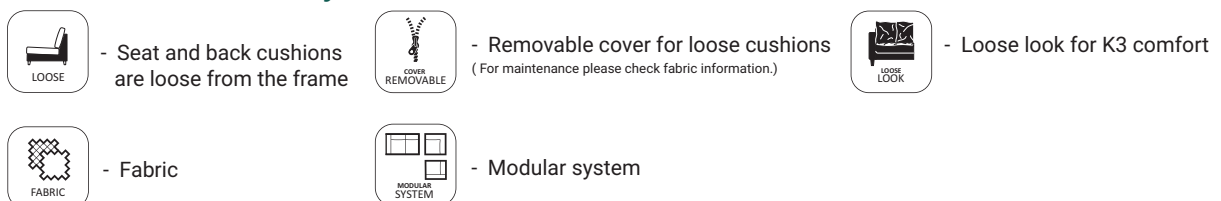


Standard sets

Dimensions with A17 armrest and W16 legs.



Furniture features in symbols



reserves the right to change construction of products and components used due to improving durability of product and customer satisfaction without any further notice. Upholstered furniture is handmade using soft materials there fore measurements may vary up to +/- 3cm. Slight colour variations may occur between production batches. For technological reasons variations in color shades are acceptable.